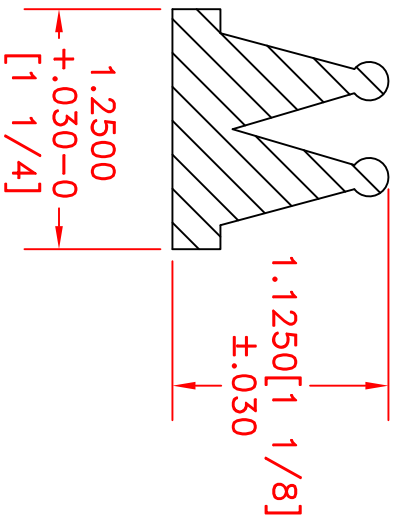
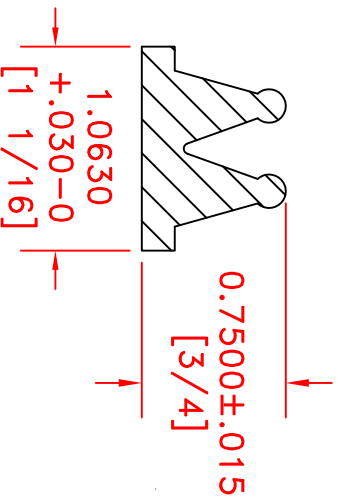


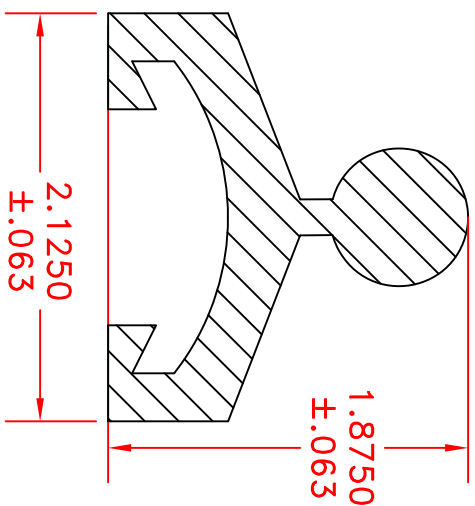
V-0103 SS 4A6



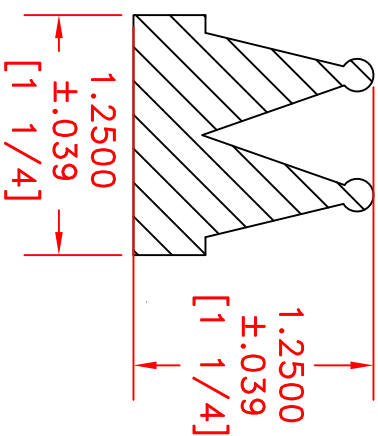
V-0022 STS-I-TT



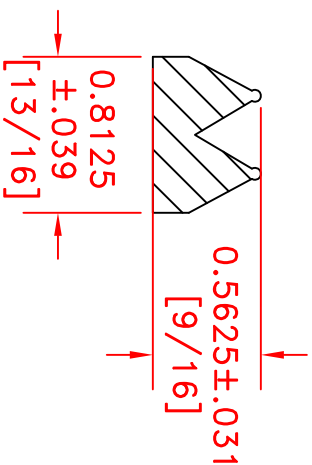
V-0013 STS-I Gasket



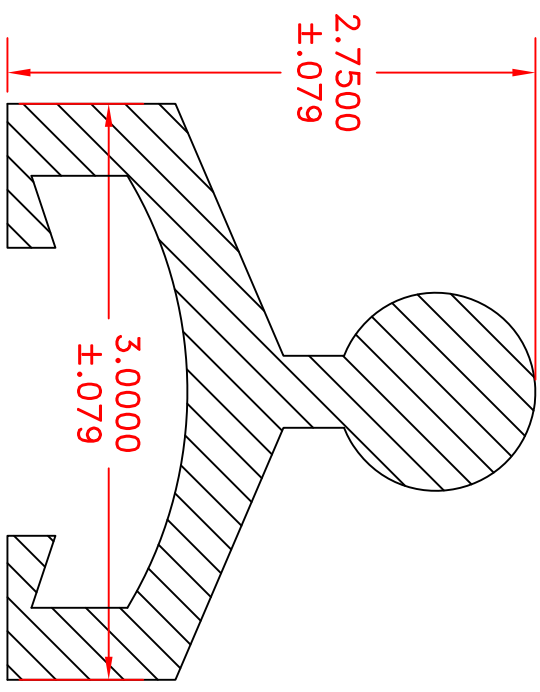
V-0104 SS-8T15 Gasket



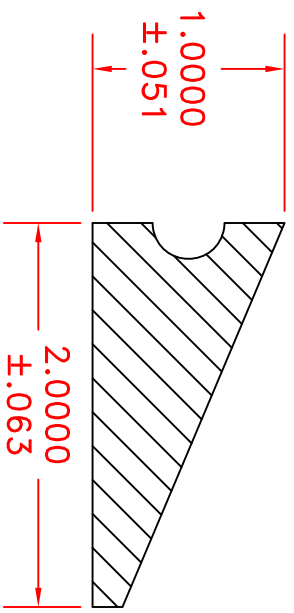
V-0301 STS-I-TT, 1.25"



V-0015 STS-III Gasket



V-0214 15AA Gasket 18"+



V-0021 1" BW Profile

V-0359 7/8" BW Profile

V-0300 1.250" BW Profile



Description

SS Profiles, Most Are Patented.

Scale	Date	Drawn By	Dwg Number
Note	05-01-14	WCA	ST-SEAL-P